

LAVERD

T-3805 / T-3806

suspension lamp

Date	Type
Project	
Location	
Model #	Quantity
Specifier	

Description

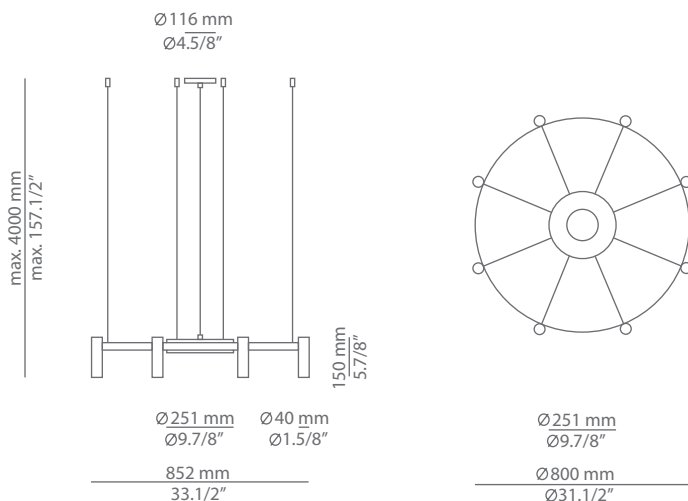
Metallic suspension light with circular body.
Cylindrical heads with acrylic diffusers
projecting light up and down.
Integrated dimmable LED 0-10V.
Adjustable height and possibility to be
assembled in different shapes.



Pictures above might not show the specified dimensions or material. They are for illustration purposes only.

Ordering information

Product Code	Lamp	Finish body	Finish head
T-3805	LED 16x3W (led included) (2700K / Ang 116° / >90 CRI / 24V) 100V - 277V / Typ* 16x300 lumens Dimmable 0-10V / Up and down light	26 BLK Black CUSTOM	26 BLK Black 61 S GLD Satin Gold CUSTOM



SPECIAL REQUIREMENTS

Custom finishes and versions

We offer custom RAL finishes.

Alternate lamping and sizes available for projects. Consult our offices.

Special instructions



ESTILUZ, S.A.
Carretera d'Ogassa, s/n
17860 Sant Joan de les Abadesses
T+34 972 720 125
F+34 972 720 796

estiluz@estiluz.com
www.estiluz.com

LAVARD

T-3805 / T-3806

suspension lamp

Date	Type
Project	
Location	
Model #	Quantity
Specifier	

Description

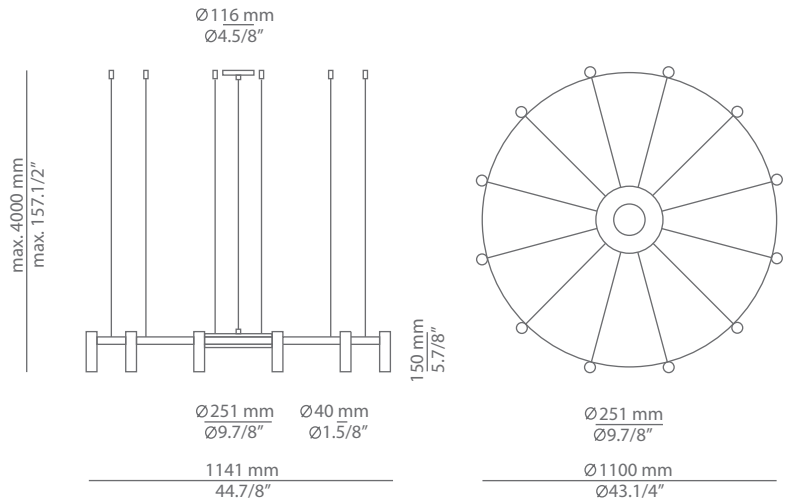
Metallic suspension light with circular body.
 Cylindrical heads with acrylic diffusers
 projecting light up and down.
 Integrated dimmable LED 0-10V.
 Adjustable height and possibility to be
 assembled in different shapes.



Pictures above might not show the specified dimensions or material. They are for illustration purposes only.

Ordering information

Product Code	Lamp	Finish body	Finish head
T-3806	LED 24x3W (led included) (2700K / Ang 116° / >90 CRI / 24V) 100V - 277V / Typ* 24x300 lumens Dimmable 0-10V / Up and down light	26 BLK Black CUSTOM	26 BLK Black 61 S GLD Satin Gold CUSTOM



SPECIAL REQUIREMENTS

Custom finishes and versions

We offer custom RAL finishes.

Alternate lamping and sizes available for projects. Consult our offices.

Special instructions

LAVERD

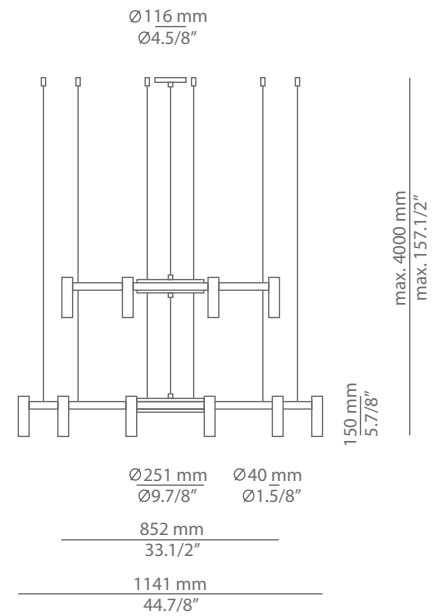
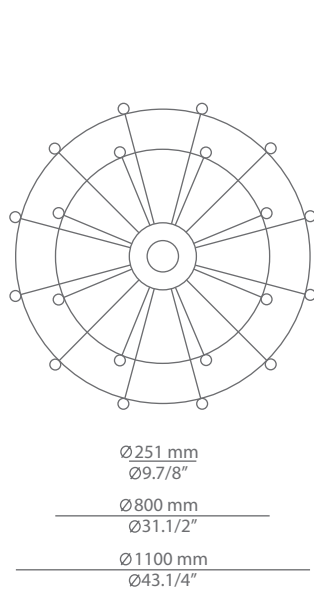
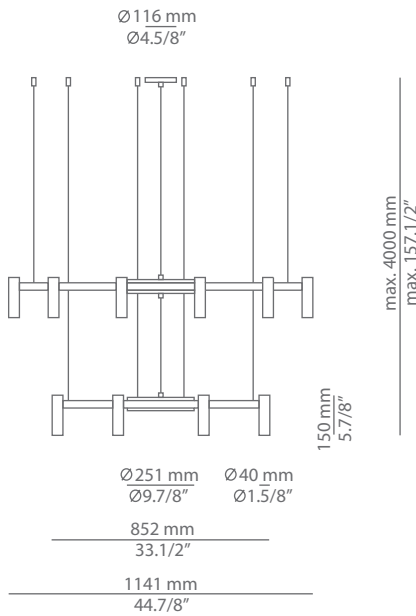
R11.1S1M

suspension lamp

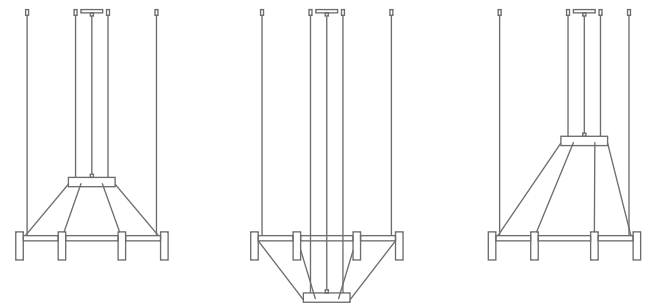
Date	Type
Project	
Location	
Model #	Quantity
Specifier	

Product Code	Composition includes
R11.1S1M	1 Round canopy 113805263
laverd	1 unit of T-3805
	1 unit of T-3806
	1 connection kit 123805262
	Drivers / Dimmable 0-10V

Finish body	Finish head
26 BLK Black	26 BLK Black
CUSTOM	61 S GLD Satin Gold
	CUSTOM



Possible shapes



SPECIAL REQUIREMENTS

Custom finishes and versions

We offer custom RAL finishes.

Alternate lamping and sizes available for projects. Consult our offices.

Special instructions
